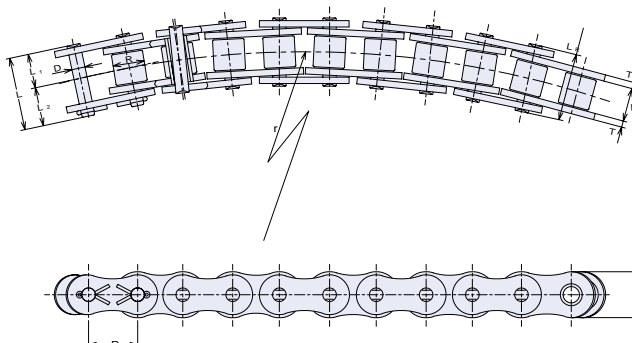


Side Bow Chains

SY Side Bow chains provide extra clearance between pins, bushings, and link plates to allow freedom of operation around a curve or twist. The Suffix SB is added to the chain number for identification.



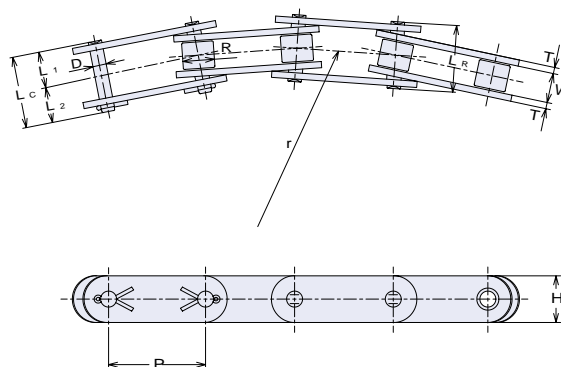
SB STANDARD

SY Chain No.	Dimensions - mm											Average Ultimate Strength kN	Maximum Allowable Load kN	Average Chain Weight kg/m
	Pitch P	Roller		Pin				Plate		Min. Curve Radius r				
		Width W	Dia. R	Out Dia. D	Length		Height H	Thick. T						
				LR	LC	L1	L2							
SY 40-SB	12.70	7.95	7.92	3.58	16.9	18.9	8.5	10.4	11.7	1.5	350	14.9	1.77	0.63
SY 50-SB	15.875	9.53	10.16	4.45	21.1	23.1	10.6	12.5	14.6	2.0	400	22.1	3.14	1.03
SY 60-SB	19.05	12.70	11.91	5.08	26.3	28.1	13.2	14.9	17.5	2.4	500	29.4	4.22	1.46
SY 80-SB	25.40	15.88	15.88	7.13	33.4	36.4	16.7	19.7	23.4	3.2	600	57.9	7.65	2.42

Stainless steel, nickel plated, and with attachments are supplied on request.

Side Bow Double Pitch Chains

SY Double Pitch Side Bow chains are manufactured to the same high standards as our regular side bow chains but are better suited when shaft centers are relatively long. Available in standard roller or carrier roller type.



SB DOUBLE PITCH

SY Chain No.	Dimensions - mm											Average Ultimate Strength kN	Maximum Allowable Load kN	Average Chain Weight kg/m
	Pitch P	Roller		Pin				Plate		Min. Curve Radius r				
		Width W	Dia. R	Out Dia. D	Length		Height H	Thick. T						
				LR	LC	L1	L2							
C2040-SB	25.40	7.95	7.92	3.58	16.9	18.9	8.5	10.4	11.4	1.5	700	14.9	1.77	0.48
C2050-SB	31.75	9.53	10.16	4.45	21.1	23.1	10.6	12.5	15.0	2.0	800	22.1	3.14	0.82
C2060-SB	38.10	12.70	11.91	5.08	26.3	28.1	13.2	14.9	17.0	2.4	1000	29.4	4.22	1.20
C2042-SB	25.40	7.95	15.88	3.58	16.9	18.9	8.5	10.4	11.4	1.5	700	14.9	1.77	0.82
C2052-SB	31.75	9.53	19.05	4.45	21.1	23.1	10.6	12.5	15.0	2.0	800	22.1	3.14	1.26
C2062-SB	38.10	12.70	22.23	5.08	26.3	28.1	13.2	14.9	17.0	2.4	1000	29.4	4.22	2.01