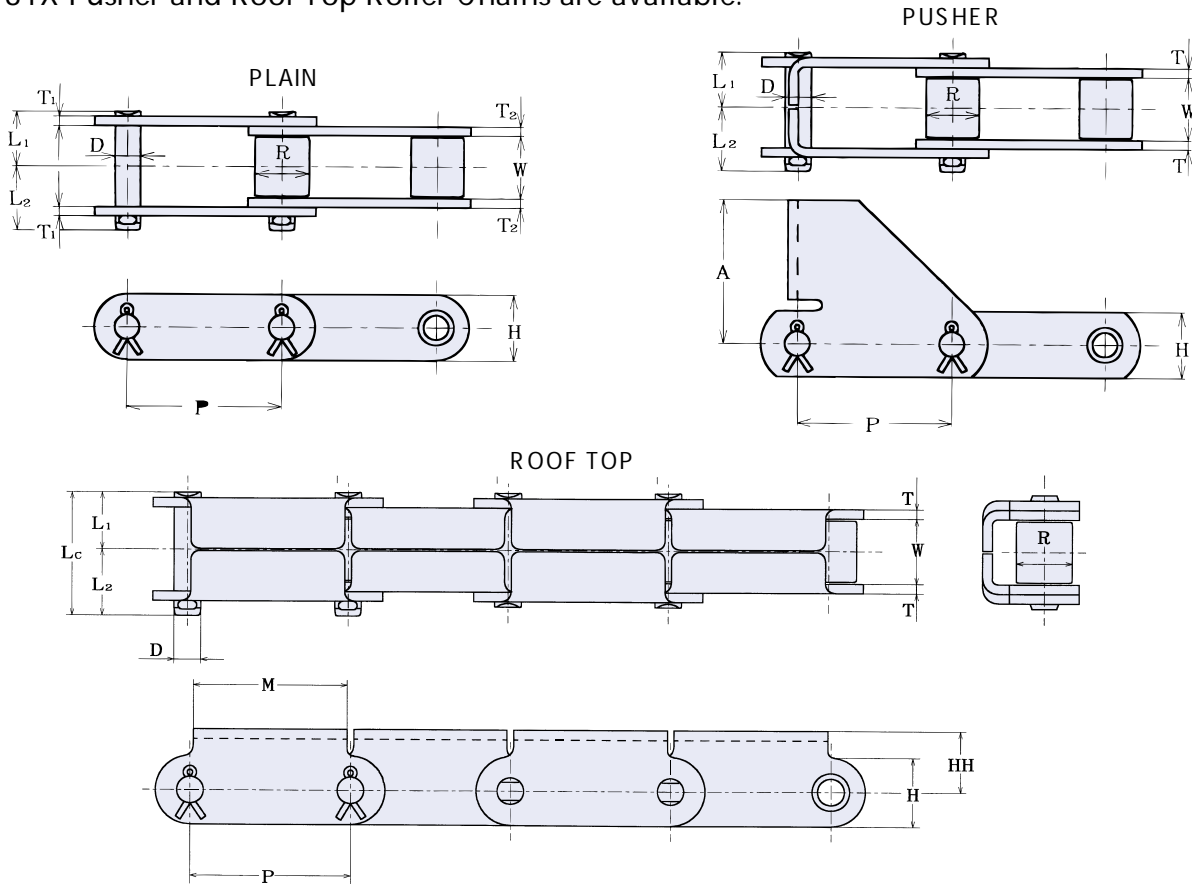


81X Transfer Chains

SY provides three plain 81X chains: 81X, 81XH, and 81XH-S. Each type is designed with different link plate thickness and height to strengthen progressively higher allowable loads and durability. Also 81X Pusher and Roof Top Roller Chains are available.



81X . 81XH. 81XH-S

| SY Chain No. | Dimensions - mm | | | | | | | | | Average Ultimate Strength | Approx. Weight |
|--------------|-----------------|--------|------|------|--------|--------|-----------|-----|-----|---------------------------|----------------|
| | Pitch | Roller | | Pin | | Plate | | | | | |
| | | Width | Dia. | Dia. | Length | Height | Thickness | | | | |
| P | W | R | D | L1 | L2 | H | T1 | T2 | kN | kg/m | |
| 81X | 66.27 | 27.0 | 23.0 | 11.1 | 24.0 | 28.4 | 28.6 | 3.9 | 3.9 | 110 | 3.9 |
| 81XH | 66.27 | 27.0 | 23.0 | 11.1 | 30.2 | 34.1 | 32.1 | 5.5 | 8.0 | 187 | 5.8 |
| 81XH-S | 66.27 | 27.0 | 23.0 | 11.1 | 32.0 | 36.3 | 32.1 | 8.0 | 8.0 | 187 | 6.8 |

81X PUSHER

| SY Chain No. | Dimensions - mm | | | | | | | | | Average Ultimate Strength |
|--------------|-----------------|--------|------|------|--------|--------|-----------|------|-----|---------------------------|
| | Pitch | Roller | | Pin | | Plate | | | | |
| | | Width | Dia. | Dia. | Length | Height | Thickness | | | |
| P | W | R | D | L1 | L2 | H | A | T | kN | |
| 81X Pusher | 66.27 | 27.0 | 23.0 | 11.1 | 24.0 | 28.4 | 28.6 | 65.1 | 3.9 | 110 |

81X ROOF TOP CHAIN

| SY Chain No. | Dimensions - mm | | | | | | | | | | Average Ultimate Strength | Approx. Weight |
|--------------------|-----------------|--------|------|------|--------|--------|-------|------------|-------------|------|---------------------------|----------------|
| | Pitch | Roller | | Pin | | Plate | | Roof Width | Roof Height | | | |
| | | Width | Dia. | Dia. | Length | Height | Thick | | | | | |
| P | W | R | D | L1 | L2 | H | T | M | HH | kN | kg/m | |
| 81X Roof Top Chain | 66.27 | 27.0 | 23.0 | 11.1 | 24.0 | 28.4 | 28.6 | 3.9 | 63.5 | 25.4 | 110 | 5.5 |