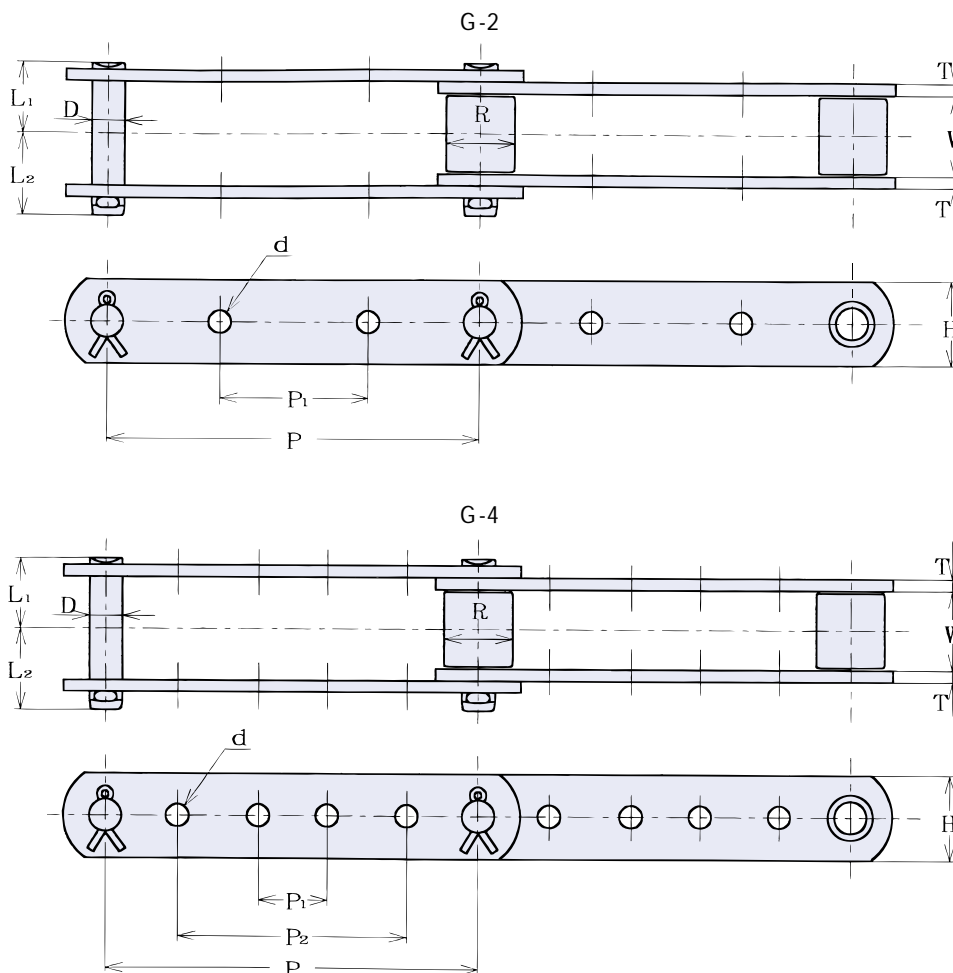


3939 Attachment Chain

3939 chain is an 8-inch pitch version of 81X with G-attachment holes. There are various choices for number of holes and locations per customers' specifications.



3939 G-2 ATTACHMENT

SY Chain No.	Dimensions - mm										Average Ultimate Strength kN
	Pitch P	Roller		Pin		Plate		G-2		Hole d	
		Width W	Dia. R	Dia. D	Length L1 L2	Height H	Thick T	Pitch P1			
3939	203.20	27.0	23.0	11.1	24.0	28.4	28.6	3.9	38.1 76.2 92.1 101.6	7.2	110

3939 G-4 ATTACHMENT

SY Chain No.	Dimensions - mm										Average Ultimate Strength kN
	Pitch P	Roller		Pin		Plate		G-4		Hole d	
		Width W	Dia. R	Dia. D	Length L1 L2	Height H	Thick T	Pitch P1 P2			
3939	203.20	27.0	23.0	11.1	24.0	28.4	28.6	3.9	38.1 76.2 92.1 101.6	7.2	110